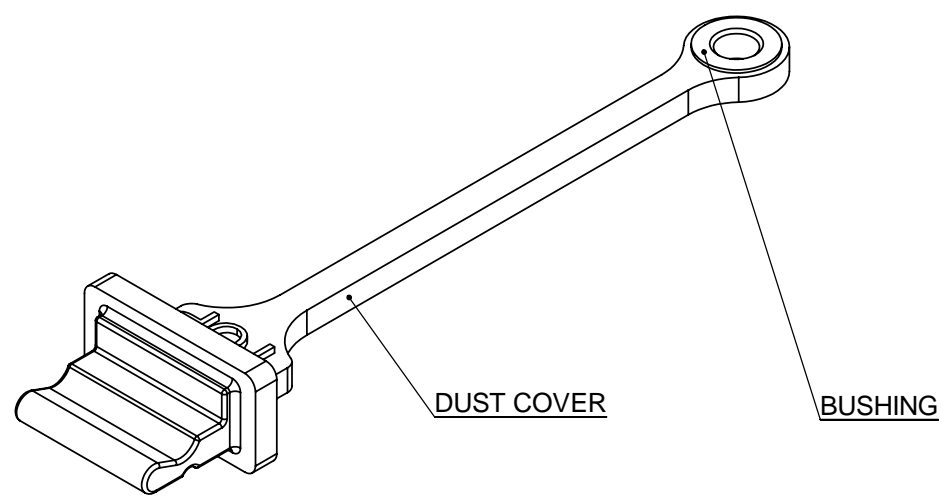


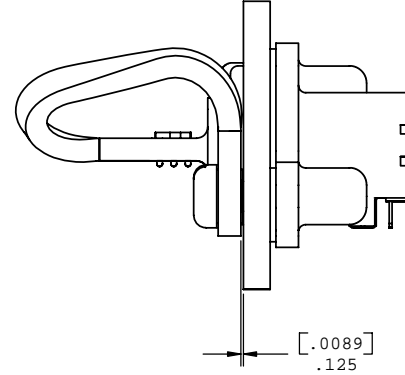
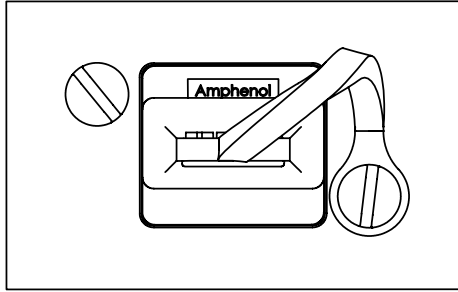
TABLE 1	
PART NUMBER FOR ORDER	COLOR
MUSB-2A111-014-BP	GREY
MUSB-2A111-024-BP	BLACK



NOTES:

- MATERIAL:  
 - DUST COVER - SILICONE RUBBER, COLOR - SEE TABLE 1.  
 - BUSHING - BRASS, NICKEL PLATED.
- OPERATING TEMPERATURE: -40°C TO +105°C.
- PART IS ROHS COMPLIANT PER EU DIRECTIVE 2002/95/EC AND AMENDMENTS.

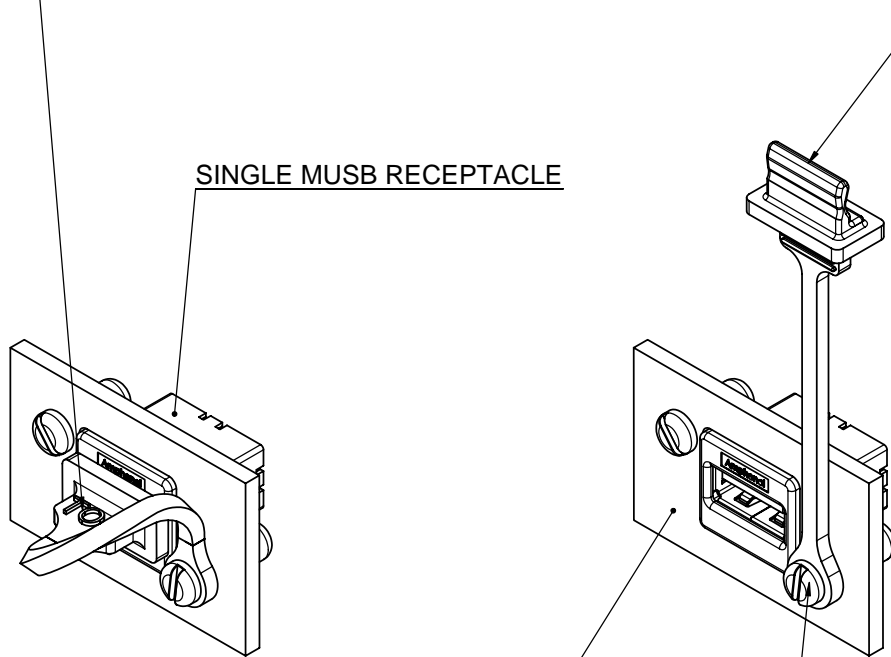
UNLESS OTHERWISE SPECIFIED DIMENSIONS ARE IN MILLIMETER TOLERANCES ARE:  DECIMALS .XX ±.10 .X ±.25  ANGLES ± 1°	APPROVALS	DATE	<b>Amphenol Canada Corp.</b>		
	DRAWN S.SEMENOV	APR24/06			
	DESIGNED S.SEMENOV	APR24/06	TITLE MUSB TYPE A CONNECTOR WITH DUST COVER		
	CHECKED				
MATERIAL AND FINISH	QA APP'D		SIZE C	DWG. NO. P-MUSB-2A111-0X4	REV. 3
REF.	IE APP'D		SCALE 4:1	PROJECT MUSB	SHEET 1 OF 3
CODE IDENT. NO.	DWG APP'D K.BOUTROS	APR24/06			



COVER HANDLE WITH MARK "TOP"

DUST COVER

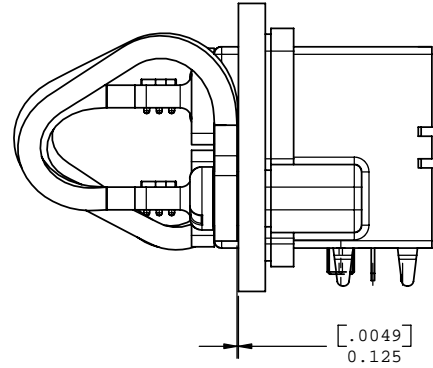
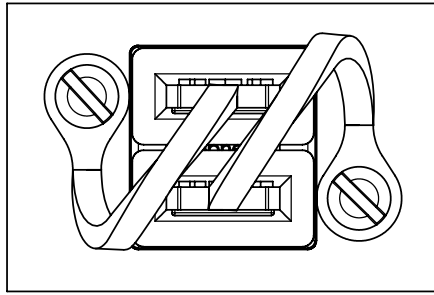
SINGLE MUSB RECEPTACLE



SINGLE MUSB WITH DUST COVER

PANEL  
4-40 SCREW  
(NOT SUPPLIED)

UNLESS OTHERWISE SPECIFIED DIMENSIONS ARE IN MILLIMETER TOLERANCES ARE:  DECIMALS                      ANGLES .XX ±.10                              ± 1° .X    ±.25	APPROVALS	DATE	<b>Amphenol Canada Corp.</b>		
	DRAWN S.SEMENOV	APR24/06			
MATERIAL AND FINISH	DESIGNED S.SEMENOV	APR24/06	SIZE C	DWG. NO. P-MUSB-2A111-0X4	REV. 3
	CHECKED		SCALE 1:0.3		PROJECT MUSB
REF.	QA APP'D		SHEET 2 OF 3		
CODE IDENT. NO.	IE APP'D				
	DWG APP'D K.BOUTROS	APR24/06			



COVER HANDLE WITH MARK "TOP"

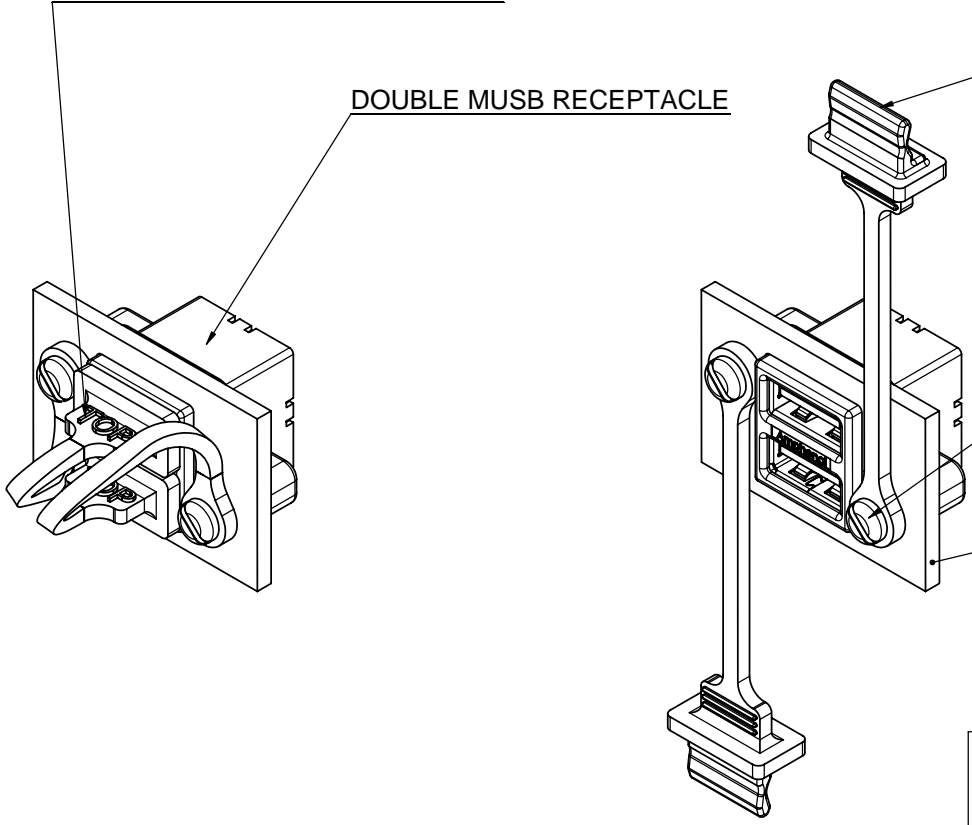
DOUBLE MUSB RECEPTACLE

DUST COVER

4-40 SCREW  
(NOT SUPPLIED)

PANEL

**DOUBLE MUSB WITH DUST COVER**



UNLESS OTHERWISE SPECIFIED DIMENSIONS ARE IN MILLIMETER TOLERANCES ARE:  DECIMALS                      ANGLES .XX ±.10                            ± 1° .X    ±.25		APPROVALS	DATE	<b>Amphenol Canada Corp.</b>		
		DRAWN S.SEMENOV	APR24/06			
MATERIAL AND FINISH		DESIGNED S.SEMENOV	APR24/06	TITLE MUSB TYPE A CONNECTOR WITH DUST COVER		
		CHECKED				
REF.		QA APP'D		SIZE C	DWG. NO. P-MUSB-2A111-0X4	REV. 3
		IE APP'D		SCALE 1:0.3	PROJECT MUSB	SHEET 3 OF 3
CODE IDENT. NO.		DWG APP'D K.BOUTROS	APR24/06			